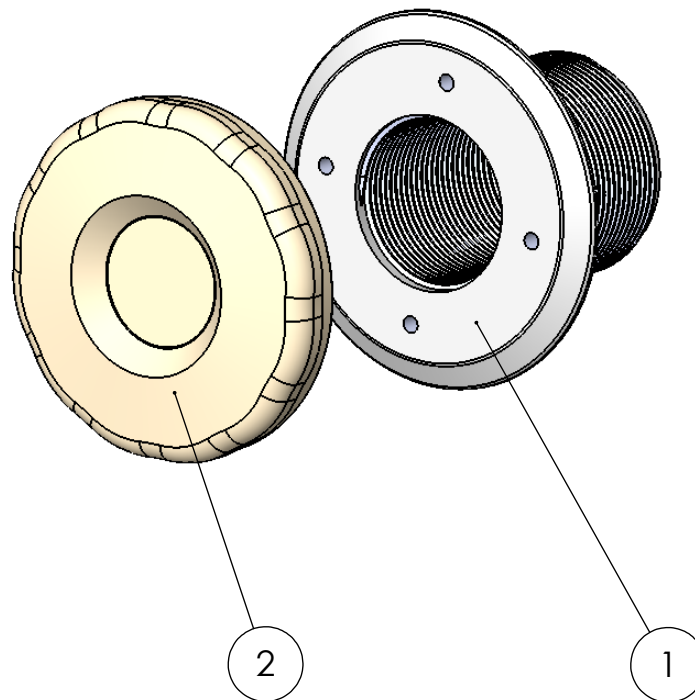


CÓDIGO / CODE: **102519**  
 DESCRIPCIÓN: **BOQUILLA 2" PISC. HORMIGÓN**  
 DESCRIPTION: **INLET 2" FOR CONCRETE POOL**



| NUM. | CODIGO | DENOMINACION       | DESCRIPTION   | CANT. |
|------|--------|--------------------|---------------|-------|
| 1    | 102522 | Base boquilla      | Inlet base    | 1     |
| 2    | 102520 | Tapon embellecedor | Faceplate cap | 1     |